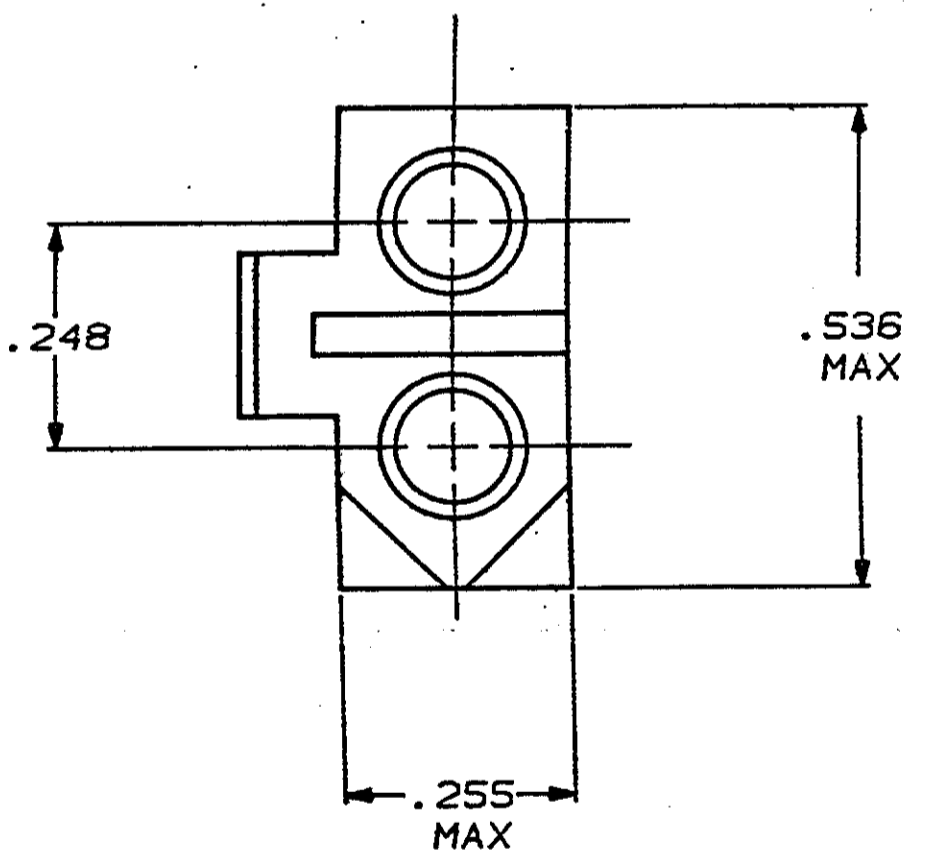
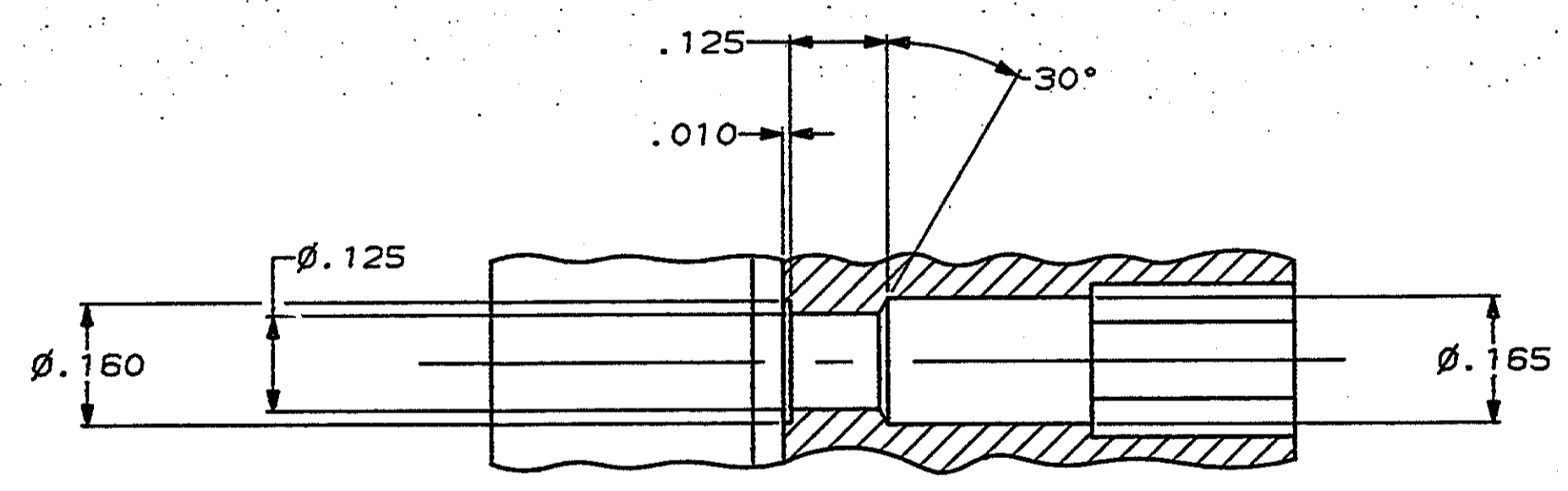


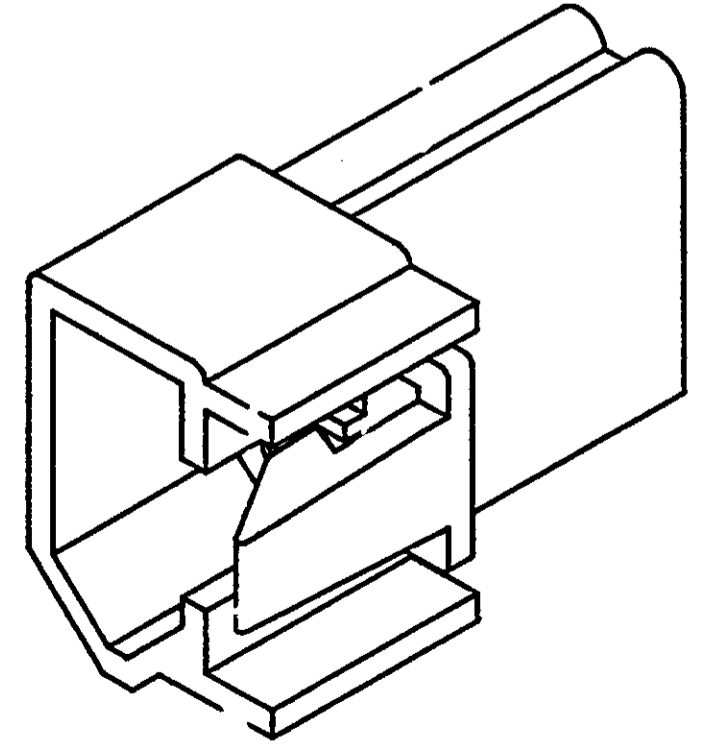
△ AMP LOGO, CIRCUIT NUMBERS, LOCATED APPROXIMATELY AS SHOWN.



MATING CONNECTOR INTERFACE



TYPICAL PLUG CAVITY SECTION (DIMENSIONS REFERENCE ONLY)



3 DIMENSIONAL MODEL NTS

.270	6.86	1.031	26.19
.255	6.48	.656	16.66
.248	6.30	.540	13.72
.010	0.25	.536	13.61
.005	0.13	.365	9.27
IN	MM	IN	MM

CONVERSION TABLE



DO NOT SCALE PRINT. UNLESS SPECIFIED DIMENSIONS IN INCHES TOLERANCES ON: 1/2 PLC DEC ± .005 3/4 PLC DEC ± .005 ANGLES ± .005		DR K. WHITAKER 8-19-80	AMP INCORPORATED Harrisburg, Pa. 17105	
CHK R. SWING 8-19-80	APPD R. CARSON 8-19-80	NAME		
MATERIAL NYLON, UL94V-2, NATURAL		PLUG, POSITIVE LOCK, 2 CIRCUIT, COMMERCIAL PIN AND SOCKET		
FINISH	APPLICATION SPEC	SIZE D	FSCM NO 00779	DRAWING NO 770425
WEIGHT	SCALE 5:1	SHEET 1 OF 1		

770425-1
PART NO